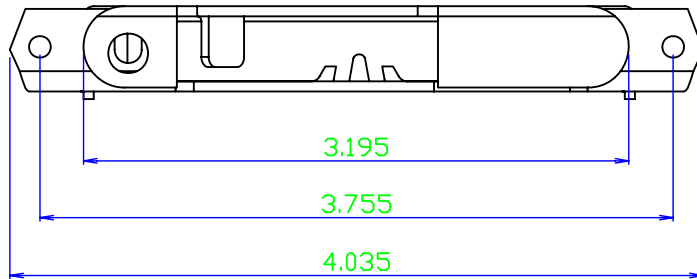
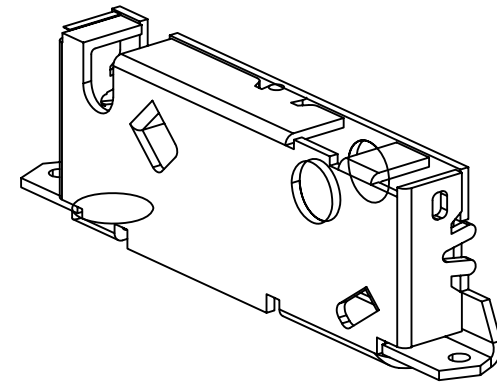
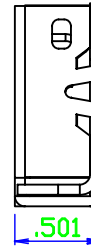
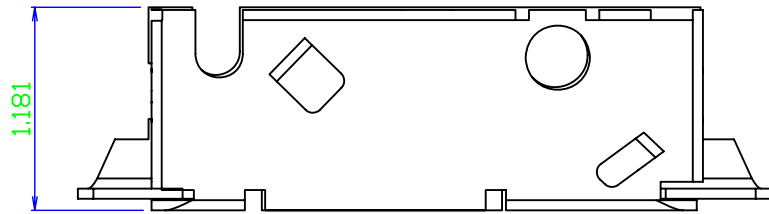
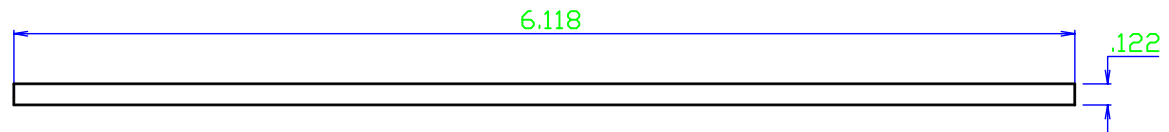
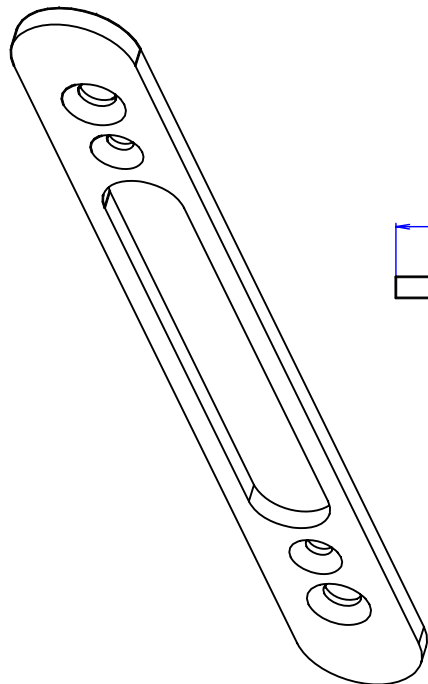
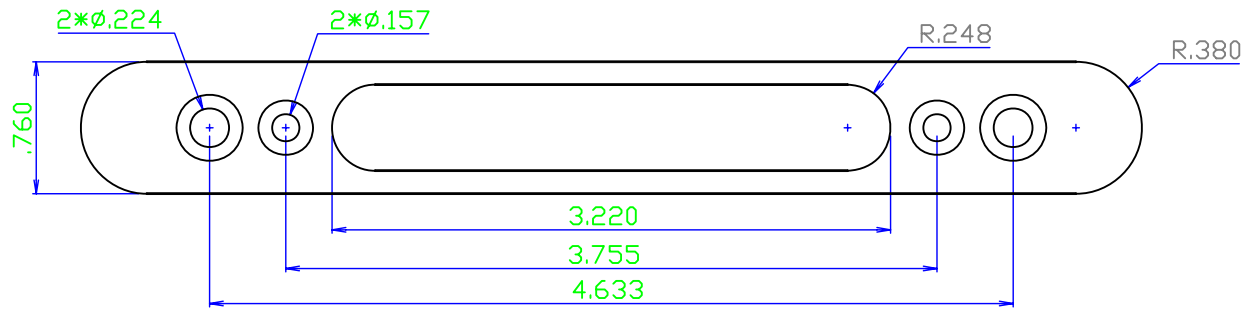


RevNo	Revision note	Date	Signature	Checked
-------	---------------	------	-----------	---------



STANDARD TOLERANCES
(UNLESS OTHERWISE NOTED)
ALL WALLS =±.005
.000 TO .499 =±.005
.500 TO 4.000 =±.010
OVER 4.000 =±0.015
ANGULAR DIM =±1/2°

Itemref	Quantity	Material: Steel			Article No./Reference	
Designed by JZ	Checked by JG	Approved by - date -	File name -	Date 2006.04.26	Scale 1:1	
TKG COMPONENTS LLC			Motise Lock			
			0105	Edition 1	Sheet 1/1	



STANDARD TOLERANCES (UNLESS OTHERWISE NOTED) ALL WALLS =±.005 .000 TO .499 =±.005 .500 TO 4.000 =±.010 OVER 4.000 =±0.015 ANGULAR DIM =±1/2°	Itemref	Quantity	Material: Steel		Article No./Reference		
	Designed by JZ	Checked by JG	Approved by - date -	File name -	Date 2006.04.26	Scale 1:1	
	TKG COMPONENTS LLC				Motise Lock		
					0105 Plate		Edition 1